

# H.264 Internet Video Server



### Efficiently Migrate Analog CCTV System to IP-based Security Solution

PLANET IVS-H125 one-channel Internet Video Server offers the highly efficient H.264 video compression, which greatly reduces bandwidth and storage requirements without compromising image quality. It provides an easy and high quality solution to integrate analog CCTV cameras into the IP-based video surveillance system. The IVS-H125 is the ideal choice for casinos, airports, traffic surveillance and prisons, anywhere an analog surveillance system is already installed and full frame rate is needed.



### Full Frame Rate in All Resolutions

The IVS-H125 supports H.264, MPEG-4, and M-JPEG compression formats to deliver excellent picture quality in 4CIF (D1) resolutions, at 30/25 (NTSC/PAL) frames per second (fps). It also can deliver multiple, individually configurable video streams simultaneously at full frame rate in all resolutions; that means, several video streams can be configured with different compression formats, resolutions and frame rates for different needs.



### Video / Audio

- H.264 / MPEG-4 and M-JPEG video compression simultaneously
- Simultaneous multi-stream support
- Up to 30/25 (NTSC/PAL) fps for all profiles
- 3DNR (3D Noise Reduction) to improve picture quality at low Lux
- 2-Way audio support with enhanced audio quality

### Network and Configuration

- Auto MDI/MDI-X supported
- Supports IPv6 protocol in addition to the standard IP protocol version 4 (IPv4)
- RTSP / UPnP / 3GPP / HTTPS protocols selectable

### Easy Installation & Management

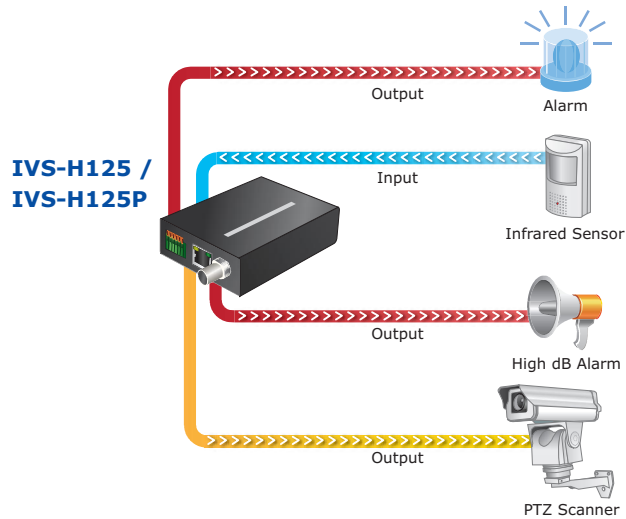
- ONVIF compliant
- Built-in Samba client for NAS
- 3GPP for 3G mobile remote applications
- RS-485 interface for P/T scanner control
- Built-in micro SD/SDHC card slot for on-board storage
- Digital Input / Output for easy integration with sensors and alarms
- Cam Viewer 3 central management software supported
- Flexible installation with Media Converter Chassis

*Advanced Event Management*

The IVS-H125 supports a number of advanced features that increase monitoring flexibility and capabilities, including AV out to perform Two-Way audio function, micro SD/SDHC card slot for local storage, RS-485 for connection to an optional pan/tilt enclosure, and input/output port for connecting external sensor devices such as door sensors and light relays to enable real time alarm notification and event management.

**Digital Input /Output**

**For External Sensor in and Alarm out**



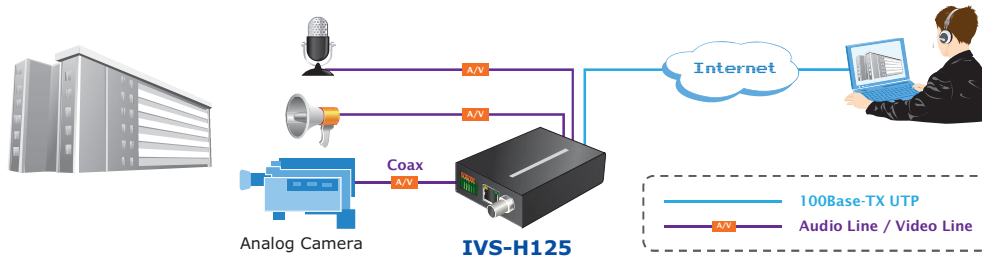
*Flexible Installation and Easy Integration with Media Converter Chassis*

The IVS-H125 is ONVIF compliant and therefore is interoperable with other brands' camera in the market. Includes 64-CH central management software in the product, the IVS-H125 is indisputably the top choice for reliable and high performance surveillance. The IVS-H125 also supports PLANET Media Converter Chassis to offer a flexible and scalable managed solution. Maximum 15 IVS-H125 can be installed in the media converter chassis - MC-1500 / MC-1500R at one time and the power of the IVS-H125 can be supplied by the media converter chassis and centrally managed.



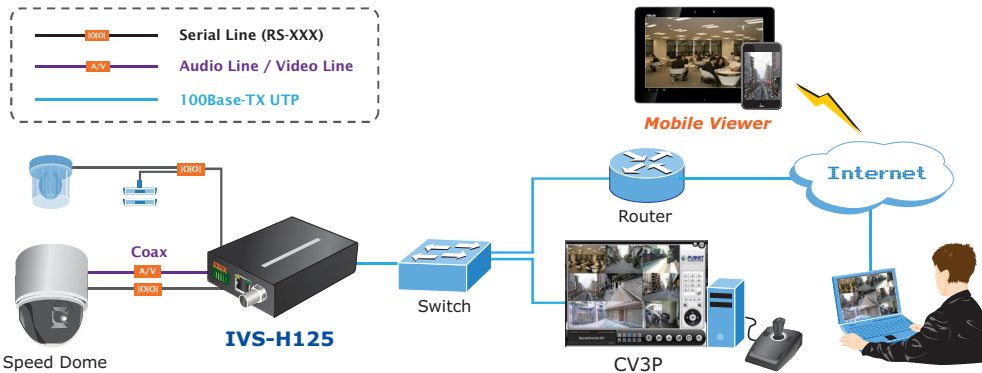
**Turn Traditional Surveillance into IP Network Surveillance**

The IVS-H125 enables you to monitor your house, office or production line in the factory via the existing traditional analog cameras through Internet. The administrators can easily place the IVS-H125 Internet Video Server wherever a network connection is available and efficiently turn the analog camera monitoring system into IP-based surveillance.



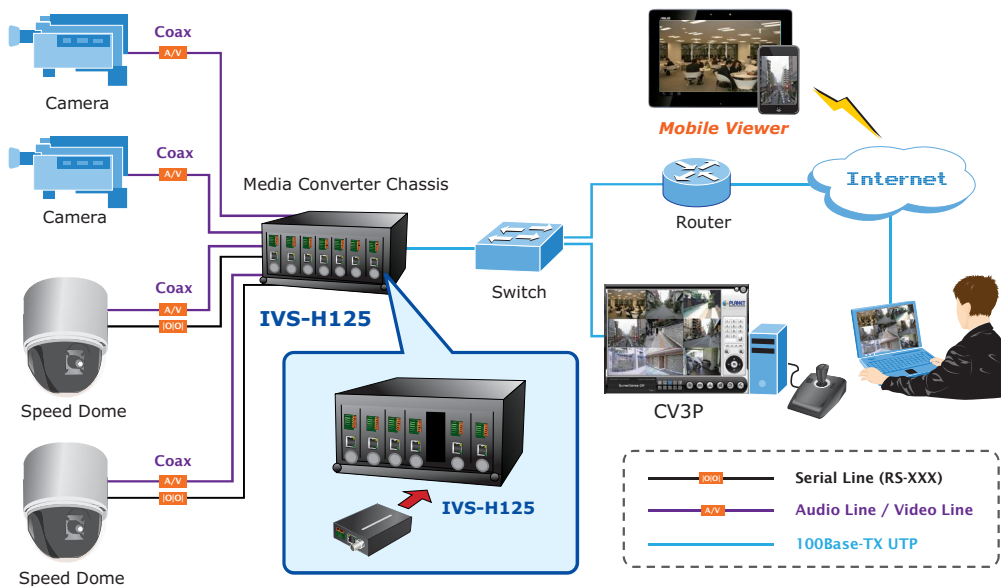
**Compatible with Cam Viewer 3 Lite/Pro for Advanced Management**

The supervisor can manage the IVS-H125 through Cam Viewer 3 Lite/Pro central management software for advanced surveillance features such as monitoring and recording images / videos from multiple cameras simultaneously by a single PC, Laptop or any intelligent mobile device.



**Ease-of-Integration and Premium Scalability**

The IVS-H125 supports PLANET Media Converter Chassis series to provide scalable IP Surveillance deployment. It offers flexible solution with combination of media converter chassis and converters. In the mean time, it can easily replace the existing analog DVR system to IP-based, digitalized central surveillance system that can be monitored anywhere with no boundaries.



## Specification

Product	H.264 Internet Video Server
Model	IVS-H125
<b>Image</b>	
Video Compression	H.264 / MPEG-4 / M-JPEG
Video Resolution	4CIF (D1), CIF, QCIF
Frame Rate	30/25 (NTSC/PAL) fps in all resolutions
Image Setting	AE, AWB 3D Noise reduction Color, brightness, sharpness, contrast Mirror / Flip 8 Privacy Masks Text, time and date overlay
Streaming	Simultaneously multi-profile streaming Streaming over UDP, TCP, or HTTP / HTTPS M-JPEG streaming over HTTP (server push) Supports 3GPP mobile surveillance (MPEG4) Controllable frame rate and bandwidth Constant and variable bit rate (MPEG4 / H.264) ROI
<b>Audio</b>	
Audio Streaming	Two-Way Audio
Audio Compression	RTSP: G.711 64kbps, G.726 32kbps 3GPP: AMR
Microphone	External microphone input
Audio Output	Adjustable audio output gain
<b>Network and Configuration</b>	
Standard	IEEE 802.3 10Base-T IEEE 802.3u 100Base-TX
Protocol	IPv4, IPv6, TCP/IP, UDP, HTTP, HTTPS, SMTP, FTP, NTP, DNS, DDNS, DHCP, ARP, Bonjour, UPnP, RTSP, RTP, RTCP, IGMP, PPPoE, 3GPP, ICMP, Samba
Security	Password protection, IP address filtering, HTTPS encrypted data transmission, user access log
Users	20 clients on-line monitoring at the same time
<b>System Integration</b>	
Application Programming Interface	Open API for software integration ONVIF Compliant
Alarm Triggers	Intelligent video motion detection, audio detection and external input
Alarm Events	File upload via FTP, Samba to NAS, SD card or email Notification via email, HTTP, and TCP External output activation Audio alerting output Pre- and post-alarm buffering
<b>Environment Specifications</b>	
Power Requirement	5V DC, 2A
Power Consumption	4W (Max.)
Operating Temperature	0 ~ 40 Degree C
Operating Humidity	20 ~ 80% (non-condensing)
Weight (includes LENS)	215g
Dimension (W x D x H)	94 x 70 x 26 mm
Emission	CE, FCC
Connectors	10/100Mbps Ethernet, RJ-45 BNC connector, 75 ohm impedance DC power jack Terminal block for 1 alarm input and 1 output RS-485 interface for pan/tilt scanners control External MIC input Composite video / audio output Micro SD/SDHC card (Max 32GB, Class 6) Factory default reset

## Ordering Information

IVS-H125	H.264 Internet Video Server
----------	-----------------------------

## Related Products

IVS-H125P	H.264 PoE Internet Video Server
MC-700	7-Slot Media Converter Chassis
MC-1500	19-inch Media Converter Chassis with 15 Slots
MC-1500R / MC-1500R48	15-Slot Media Converter Chassis with Redundant Power Supply System
CAM-IR138-NT/PA	15meter IR Camera
CAM-IR338-NT/PA	30meter IR Camera
CAM-IR560V-NT/PA	50meter Infrared Vari-Focal Camera
CAM-DM33-NT/PA	Mini Dome Camera
CAM-IVP55-NT/PA	15meter Infrared Vandal-Proof Camera
CAM-IVP55V-NT/PA	25meter Infrared Vari-Focal Vandal-Proof Camera
NVR-810	8-CH Network Video Recorder
NVR-1610	16-CH Network Video Recorder
NVR-3210	32-Ch Network Video Recorder
NVR-3250	32-Ch Rack Mount Network Video Recorder